

MV, SV AND MSL SELECTOR VALVES



METRO MACHINE & ENGINEERING 952-259-3623

DESCRIPTION

The Metro MV, SV and MSL Selector Valves with the standard spool may be used as an open or closed three way valve where flow is directed to an actuator i.e., single-acting cylinder in one position or flow from the actuator is allowed to return to tank, in the other position.

This valve may also be used as a three way diverter valve where inlet flow is directed to either of the two ports.

The standard spool has an open crossover so, as the spool is being shifted, one outlet port begins to close and the other outlet port begins to open.

OPTIONS

A closed crossover spool is available upon special order for the MV and SV selector valves. Here, as the spool is being shifted, flow is not allowed to crossover between outlet ports because flow is closed to the outlet ports for a moment while shifting.

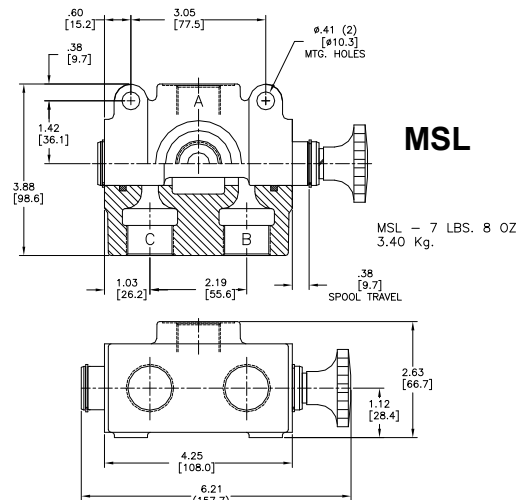
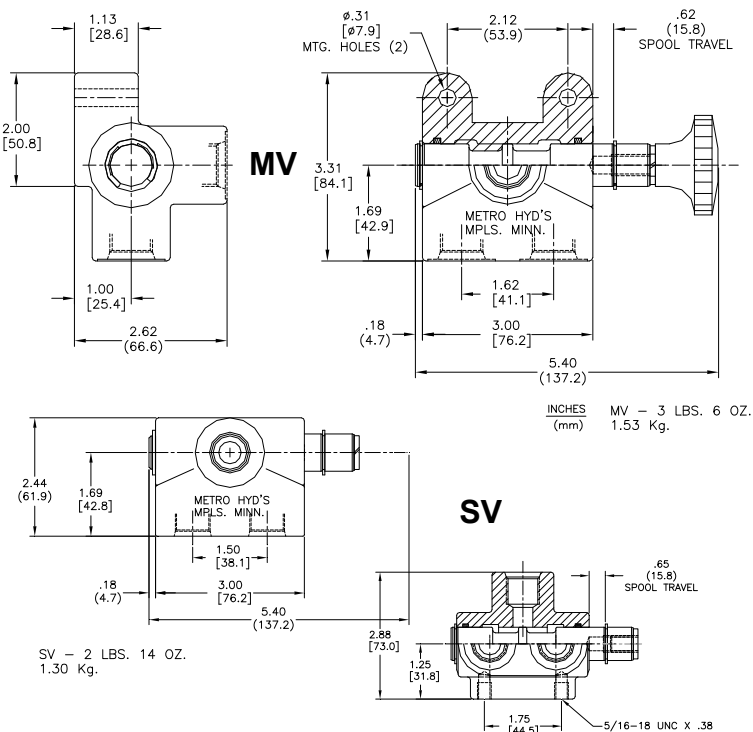
An optional float spool is available for the selector valves where all ports are either open to each other or closed to each other. This option is designed to allow cylinders to float or motors to free-wheel in such equipment as snowplows, combine headers, mower attachments, etc.

SPECIFICATIONS

Pressure Rating	Temperature Range
3000 PSI (207 Bar)	-22° to + 194° F -30° to + 90° C

ORDERING INSTRUCTIONS

MV	04			
Model Number	Port Size	Options Other Than Standard Spool With Knob	Spool Actuator Location Options	Return Options
MV or SV Up to 20 GPM (75.8 L/MIN)	03= 3/8 -18 NPT 04= 1/2 -14 NPT 06= 9/16 -18 #6 SAE 08= 3/4 -16 #8 SAE	10= No Knob 80= Float Spool w/Knob 81= Standard Spool w/Clevis 82= Standard Spool w/Spring Return 83= Float Spool w/Clevis 85= Float Spool w/Spring Return 89= Closed Center w/Knob & Spring Return	R= Reverse Spool *Lever assembly for MV model available upon request	See spool options
MSL Up to 40 GPM (151.6 L/MIN)	04= 1/2 -14 NPT 05= 3/4 -14 NPT 06= 1 -NPT 08= 3/4 -16 #8 SAE 10= 7/8 -14 #10 SAE 12= 1-1/16 -12 #12 SAE 16= 1-5/16 -12 #16 SAE	F= Float w/Knob 30= Handle 40= Standard w/Clevis 50= Pilot Operated	R= Reverse Spool	SR= Spring Return



PRESSURE DROP CHARACTERISTICS

