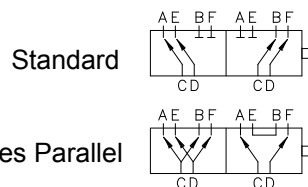
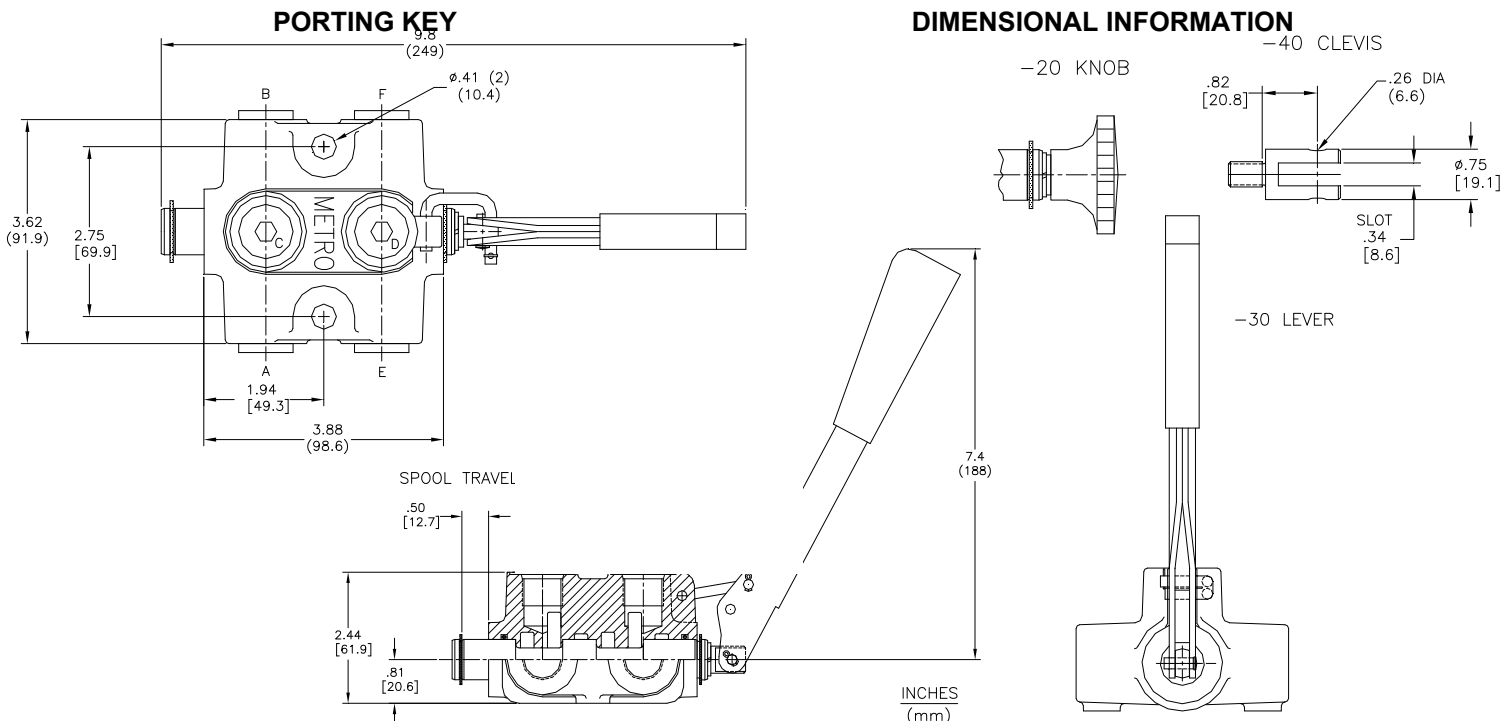


DS SIX PORT—TWO POSITION DOUBLE SELECTOR VALVES



METRO MACHINE & ENGINEERING 952-259-3623

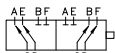
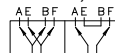


DESCRIPTION

The DS is a two position, double selector valve which directs the flow of hydraulic fluid to two separate hydraulic circuits. This allows operation of two double acting cylinders with one four-way control valve or four single-acting cylinders with two-three-way control valves.

The Metro DS two position double selector valve is of the open-crossover type. When the spool is moved and one pair of outlet ports start to close, the other pair of outlet ports start to open.

ORDERING INSTRUCTIONS

DS	04	-	20	DR
Valve Model Number	Port Size	Spool Type Options	Spool Actuator Options	Spool Return Options
DS Double Selector Valve	02= 1/4 -18 NPT	= Standard Crossover Type	10= No Actuator	Omit if Not Required
	03= 3/8 -18 NPT		20= Knob	DR= Spring Return
	04= 1/2 -14 NPT	P = Optional Parallel Type (available on special order)	30= Lever*	
	06= 9/16 -18 #6 SAE		40= Clevis	
	08= 3/4 -16 #8 SAE	Other Special Spool Types Available on Special Order		

PORTING KEY (Viewed from Handle End)

Standard Open Crossover: (See drawing upper right)

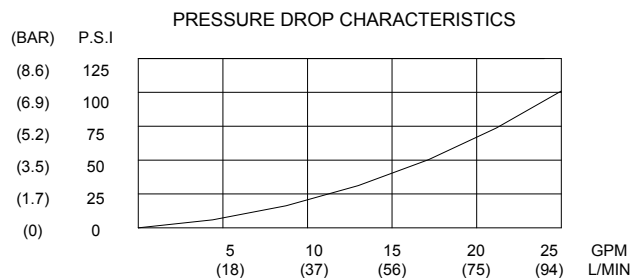
- With spool pushed into housing, port D and E are connected to each other, port C and A are connected to each other.
- With spool pulled out of housing, port D and F are connected to each other, port C and B are connected to each other.

SERIES PARALLEL (Available on Special Order)

- With spool pushed into housing, port C is connected to port A and B, port D is connected to E and F.
- With spool pulled out of housing, port C is connected to port A and port D is connected to port F, port B is connected to port E.

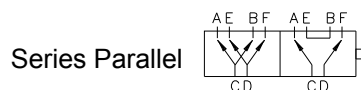
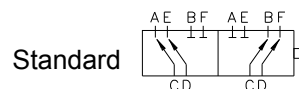
SPECIFICATIONS

Flow Capacity	Pressure Rating	Temperature Range	Weight
20 GPM 75 (L/MIN)	3000 PSI (207 Bar)	-22° to + 194° F -30° to + 90° C	4 lbs 4 oz (1.92 kg)



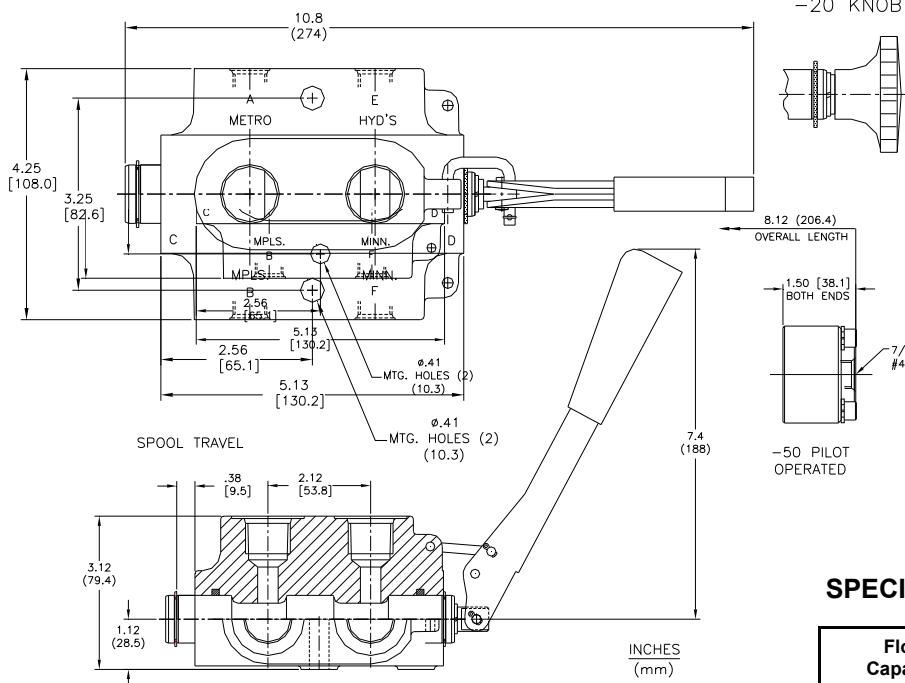
*LEVER ASSEMBLY NOT ATTACHED TO VALVE FOR SHIPPING

MDS SIX PORT—TWO POSITION DOUBLE SELECTOR VALVES

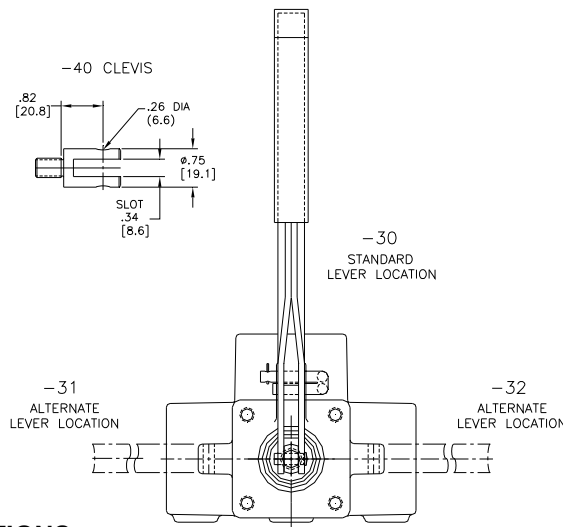


METRO MACHINE & ENGINEERING 952-259-3623

PORTING KEY



DIMENSIONAL INFORMATION



SPECIFICATIONS

Flow Capacity	Pressure Rating	Temperature Range	Weight
30 GPM 114 (L/MIN)	3000 PSI (207 Bar)	-22° to + 194° F -30° to + 90° C	10 lbs (4.5 kg)

DESCRIPTION

The MDS is a two position, double selector valve which directs the flow of hydraulic fluid to two separate hydraulic circuits. This allows operation of two double acting cylinders with one four-way control valve or four-single acting cylinders with two-three-way control valves.

The Metro MDS two position double selector valve is of the open-crossover type. When the spool is moved and one pair of outlet ports start to close, the other pair of outlet ports start to open.

PORTING KEY (Viewed from Handle End)

Standard Open Crossover: (See drawing upper right)

- With spool pushed into housing, port C and D are connected to each other, port E and A are connected to each other.
- With spool pulled out of housing, port D and F are connected to each other, port C and B are connected to each other.

SERIES PARALLEL (Available on Special Order)

- With spool pushed into housing, port C is connected to port A and B, port D is connected to E and F.
- With spool pulled out of housing, port C is connected to port A and port D is connected to port F, port B is connected to port E

ORDERING INSTRUCTIONS

MDS	08	-	50	SR
Valve Model Number	Port Size	Spool Type Options	Spool Actuator Options	Spool Return Options
MDS Double Selector Valve	04= 1/2 -14 NPT 05= 3/4 -14 NPT 06= 1 -14 NPT 08= 3/4 -16 #8 SAE 10= 7/8 -14 #10 SAE 12= 1-1/16 -12 #12 SA 14= 1-3/16 -12 #14 SAE 16= 1-5/16 -12 #16 SAE	(-) Standard Crossover Type P = Optional Parallel Type 	10= No Actuator 20= Knob 30= Lever* 40= Clevis 50= Pilot Operated (hydraulically)	Omit if Spring Return Not Required SR= Spring Return (casted) RD= Spring Return (stamped)

*LEVER ASSEMBLY NOT ATTACHED TO VALVE FOR SHIPPING

PRESSURE DROP CHARACTERISTICS

